

Cooktop Ventilation Hoods Installation Guide



Contents

- 3 Cooktop Ventilation Hoods
- 4 Specifications
- 6 Installation
- 10 Troubleshooting

Features and specifications are subject to change at any time without notice. Visit wolfappliance.com/specs for the most up-to-date information.

Important Note

To ensure this product is installed and operated as safely and efficiently as possible, take note of the following types of highlighted information throughout this guide:

IMPORTANT NOTE highlights information that is especially important.

CAUTION indicates a situation where minor injury or product damage may occur if instructions are not followed.

WARNING states a hazard that may cause serious injury or death if precautions are not followed.

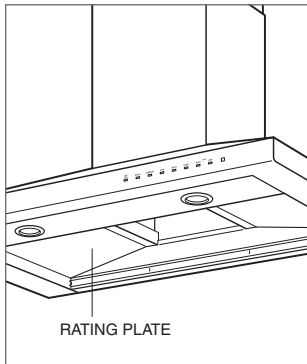
IMPORTANT NOTE: Throughout this guide, dimensions in parentheses are millimeters unless otherwise specified.

IMPORTANT NOTE: Save these instructions for the local electrical inspector.

Product Information

Important product information including the model and serial number are listed on the product rating plate. The rating plate is located under the left side of the hood, above the filters (filters must be removed). Refer to the illustration below.

If service is necessary, contact Wolf factory certified service with the model and serial number. For the name of the nearest Wolf factory certified service or for questions regarding the installation, visit the contact & support section of our website, wolfappliance.com or call Wolf customer care at 800-222-7820.



Rating plate location.

Installation Requirements

Wolf cooktop ventilation hoods are recommended for use with Wolf induction, electric and gas cooktops and integrated modules. For ranges and rangetops, a Wolf pro ventilation hood is recommended.

These hoods have a telescopic chimney flue. A flue extension is available through an authorized Wolf dealer.

Installation of the cooktop hood should be 30" (762) to 36" (914) from the bottom of the hood to the countertop.

Wall and island hoods require an internal, in-line or remote blower assembly, available through an authorized Wolf dealer. For local dealer information, visit the find a showroom section of our website, wolfappliance.com.

Consult a qualified HVAC professional for specific installation and ducting applications.

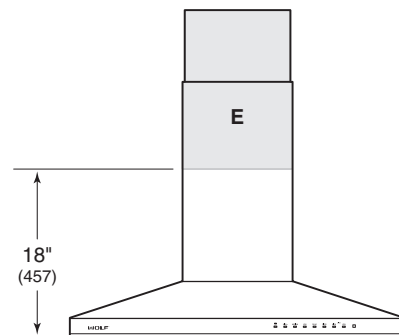
Electrical

Installation must be electrically grounded in accordance with local codes or, in the absence of local codes, with the National Electrical Code, ANSI/NFPA 70.

For wall hoods, locate the electrical supply within the shaded area shown in the illustration below. Allow a minimum 12" (305) Romex® wire for connection. For island hoods, locate the electrical supply on the ceiling inside the top of the hood. Allow a minimum 6' (1.8 m) Romex® wire for connection. A separate circuit, servicing only this appliance is required.

ELECTRICAL REQUIREMENTS

Electrical Supply	grounded, 110/120 VAC, 60 Hz
Service	15 amp dedicated circuit



30" (762) TO 36" (914) BOTTOM EDGE TO COUNTERTOP

Electrical location—all wall hoods.

Ductwork

⚠ WARNING

To reduce the risk of fire, use only metal ductwork.

6" (152) round, rigid metal duct is recommended for cooktop ventilation hoods.

A straight, short run is most effective and will ensure proper operation. For best results, the duct run should not exceed 50' (15 m). For runs exceeding 50' (15 m), a higher CFM blower may be required to maintain proper air flow and performance. A remote blower installed on a short duct run may increase the potential for noise.

Internal and in-line blowers require a roof or wall cap (not provided). Connect ductwork to the cap and work back towards the hood. Use sheet metal screws and aluminum tape or high temperature duct tape to seal joints between ductwork sections.

Wall and island hoods include a backdraft damper. Local codes may require the use of an additional backdraft and/or make-up air damper. Contact your local HVAC professional for specific requirements.

A make-up air damper is available through an authorized Wolf dealer. For local dealer information, visit the find a showroom section of our website, wolfappliance.com.

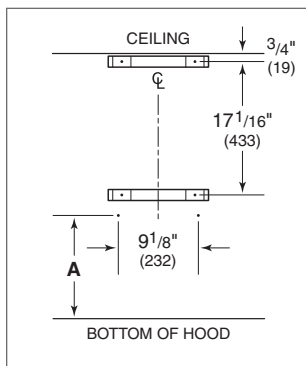
Installation

WALL HOOD

If an internal blower is being installed, install the blower prior to mounting the hood. Refer to page 8 for internal blower installation.

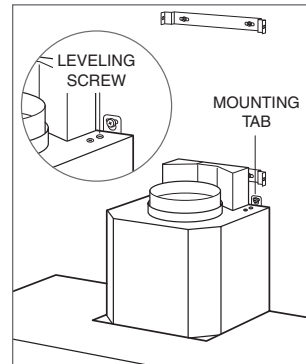
- 1 Mark the center line for location of two mounting holes using dimensions shown in the chart and illustration below. Additional wall framing is recommended in this location. If wall framing is not available, the use of wall anchors is recommended. Install the mounting screws so there is approximately 1/4" (6) gap between the screw head and wall. Position the two mounting brackets for the chimney flue, then install using two mounting screws per bracket. Refer to the illustration below.

MOUNTING LOCATION	
SCREW LOCATION	A
Black Hood	12 ³ / ₄ " (324)
Stainless Hood	16 ³ / ₈ " (416)
Glass Hood	12 ⁹ / ₁₆ " (319)

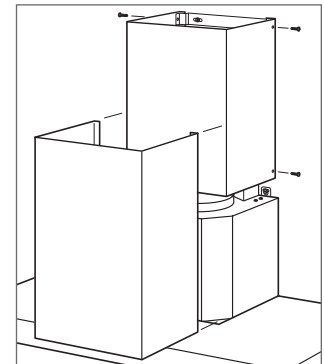


Mounting location.

- 2 Place the mounting tabs over the mounting screws. Use the leveling adjustment screws to ensure the hood is level. Refer to the illustration below.
- 3 Mount the electrical plate to the wall using screws provided.
- 4 Place the backdraft damper on the round discharge then install 6" (152) round metal ducting (not provided) to the damper and seal with aluminum tape.
- 5 Make wiring connections. Refer to page 9.
- 6 Once wiring connections are complete, secure the upper chimney flue to the mounting brackets using screws provided. Refer to the illustration below. Place the lower chimney flue over the upper, then lower until it rests on the hood.



Mount and level hood.



Install telescopic flue.

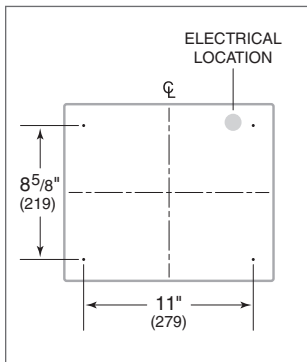
Installation

ISLAND HOOD

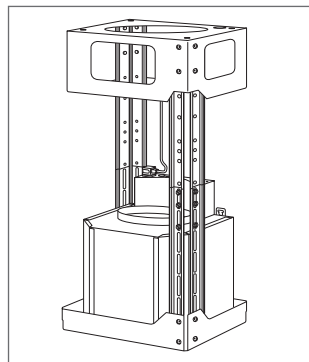
If an internal blower is being installed, install the blower prior to mounting the hood. Refer to page 8 for internal blower installation.

- 1 Mark the center line for location of four mounting holes using dimensions shown in the illustration below. Use the template provided to mark the mounting support locations, then use a 1¹/₄" drill bit to create a hole for the electrical power supply.
- 2 Place four mounting screws into the ceiling, then position the support frame on those screws. Once the support frame is in place, tighten screws.
- 3 Determine the desired height of the support frame and adjust the height by removing four screws. Once the desired height is achieved, reinstall and tighten screws.

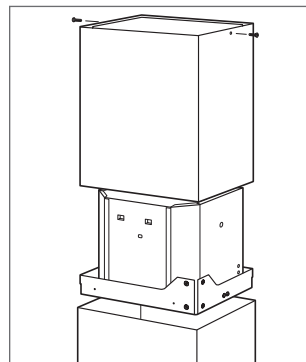
- 4 Place the damper on the support frame then attach ductwork to the damper.
- 5 Slide the upper chimney flue onto the support frame and attach to the support frame using screws provided. Refer to the illustration below. Slide the lower chimney flue over the upper and temporarily secure in this position using adhesive tape.
- 6 Raise the hood to the support frame and connect the hood to the support frame with four screws provided. Refer to the illustration below.
- 7 Make wiring connections. Refer to page 9.
- 8 Once wiring connections are complete, remove the adhesive tape securing the lower chimney flue, then lower until it rests on the hood.



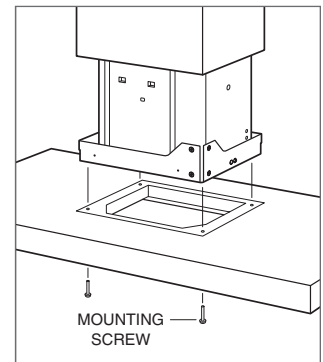
Mounting location.



Support frame.



Install telescopic flue.



Mount hood.

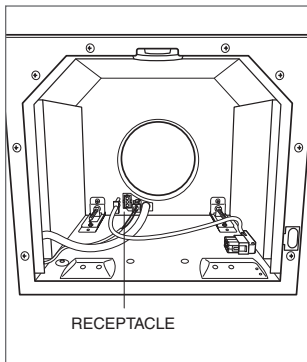
INSTALLATION

Installation

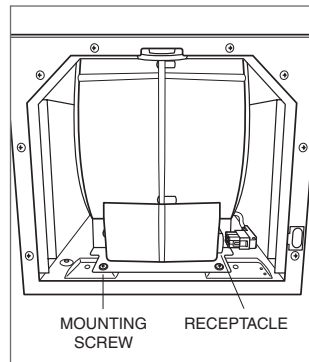
INTERNAL BLOWER

If an internal blower will be used, it should be installed prior to mounting the hood. Refer to additional instructions provided with the internal blower.

- 1 Insert the three-prong plug from the blower wire into the hood receptacle. Refer to the illustration below.
- 2 Insert the blower by aligning the round discharge on the blower with the discharge on the hood.
- 3 Insert the plug from the blower wire into the receptacle on the blower. Refer to the illustration below.
- 4 Secure the blower to the hood using the two mounting screws provided.



Hood receptacle.

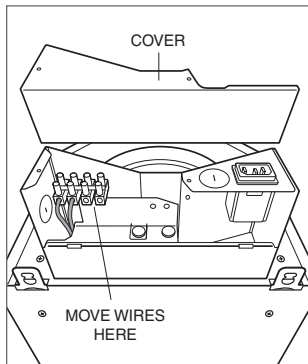


Mount blower.

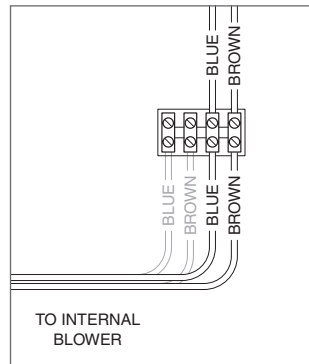
Wiring Connections

INTERNAL BLOWER WIRING

- 1 Remove the top cover of the electrical box by extracting two screws. Refer to the illustration below.
- 2 Remove the two existing wires from the left side of the terminal block and transition them to the right and secure. Refer to the illustration below.
- 3 Place all wiring connections inside the electrical box and reinstall the cover. Make sure all wires are secure and not pinched between the cover and electrical box.
- 4 Secure the junction box supplied with the hood to the wall, then connect to the (Romex®) power supply from the home. Once the connection has been made, insert the plug into the receptacle on the hood.



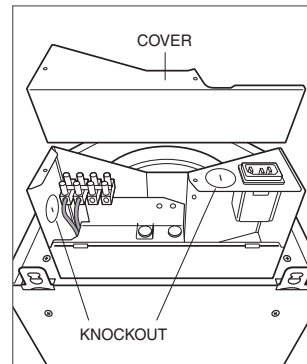
Wiring location.



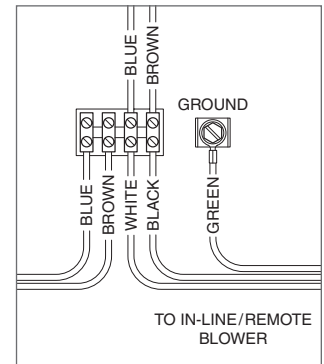
Internal blower wiring.

IN-LINE / REMOTE BLOWER WIRING

- 1 Remove the top cover of the electrical box by extracting two screws. Refer to the illustration below.
- 2 Remove one of the round knockouts using a flat blade screwdriver.
- 3 Insert Romex® wire from the blower through the knockout and secure using an approved cord stain relief.
- 4 Connect white to blue, black to brown and green to ground. Refer to the illustration below.
- 5 Place all wiring connections inside the electrical box and reinstall the cover. Make sure all wires are secure and not pinched between the cover and electrical box.
- 6 Secure the junction box supplied with the hood to the support frame, then connect to the (Romex®) power supply from the home. Once the connection has been made, insert the plug into the receptacle on the hood.



Wiring location.



In-line / remote blower wiring.

Troubleshooting

IMPORTANT NOTE: If the ventilation hood does not operate properly, follow these troubleshooting steps:

- Verify electrical power is supplied to the ventilation hood.
- Verify proper wiring connections.
- If the ventilation hood does not operate properly, contact Wolf factory certified service. Do not attempt to repair the hood. Wolf is not responsible for service required to correct a faulty installation.

Wolf, Wolf & Design, Wolf Gourmet, W & Design and the color red as applied to knobs are registered trademarks and service marks of Wolf Appliance, Inc. Sub-Zero, Sub-Zero & Design, Dual Refrigeration, The Living Kitchen, Great American Kitchens The Fine Art of Kitchen Design, and Ingredients are registered trademarks and service marks of Sub-Zero, Inc. (collectively, the "Company Marks.") All other trademarks or registered trademarks are property of their respective owners in the United States and other countries.



WOLF APPLIANCE, INC. P.O. BOX 44848 MADISON, WI 53744 WOLFAPPLIANCE.COM 800.222.7820

00000 REV-A

4/2014

